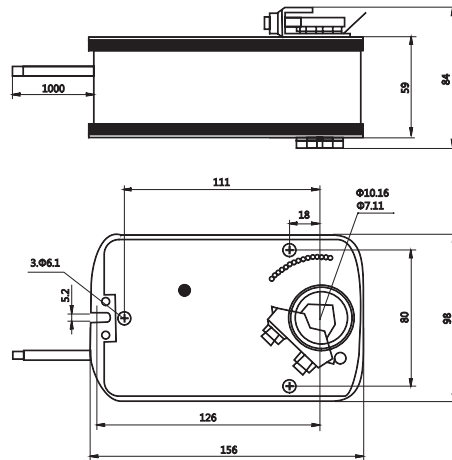


DM-FL-05



Dimensions



Description

The DM-FL-05 24 V AC/D and 230 V actuators enable remote operation of ventilation dampers.

The DM-FL-05 actuators are intended for single-blade and multi-blade square dampers with a cross-sectional surface area up to 1.0m² and round ventilation dampers up to 355 mm in diameter.

The actuators are installed on dedicated actuator mounts integrated with the DATML, DASML, DATM and similar ventilation dampers from Alnor.

The DM-FL-05 actuators enable remote opening and closing of the air flow through the ventilation ducts.

The DM-FL-05 actuators have return springs.

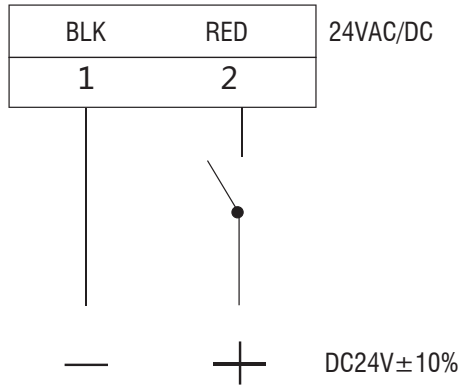
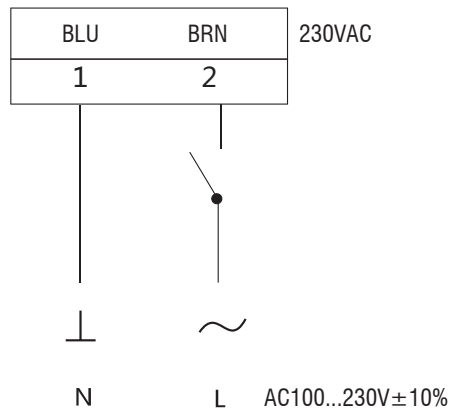
Depending on the actuator installation method, the return spring can either open or close the damper if there is a power failure.

Product code example

Product code: **DM-FL-05 - 230**

type	
voltage	

Ventilation damper actuators

DM-FL-05**Technical specifications****DM-FL-05-24****DM-FL-05-230**

	DM-FL-05-24	DM-FL-05-230
Power supply	AC 24 V 50/60 Hz DC 24 V	AC 230 V 50/60 Hz
Power input	7.2 W	4.6 W
Wiring size selection	4.4 VA	4.4 VA
Core size	max. 0.5mm ²	max. 0.5mm ²
Torque	5 Nm	5 Nm
Sense of rotation	selectable	selectable
Angle of rotation	0 to 90° (max. 95°)	0 to 90° (max. 95°)
Turning time	50 to 70 s	50 to 70 s
Sound level	45 dB (A)	45 dB (A)
Position indicator	mechanical	mechanical
Protection rating	IP54	IP54
Ambient temperature	-20 to + 50°C	-20 to + 50°C
Max. humidity	95% RH, w/o condensation, as per EN 60730-1	95% RH, w/o condensation, as per EN 60730-1
Overload protection	automatic reset	automatic reset