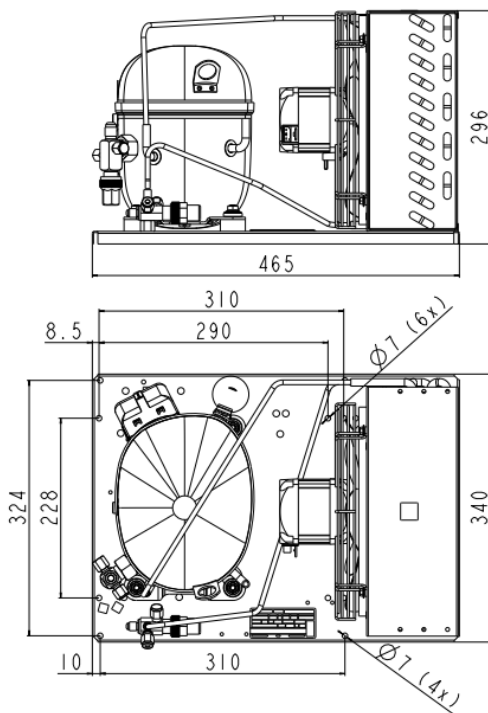


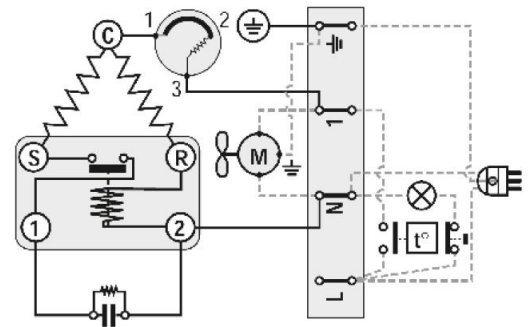
GENERAL DATA

Application:	M/HBP
Refrigerant:	R134a
Expansion Device:	C-V
Weight:	26.5 kg
Receiver:	0 liter
Voltage/Frequency:	200 - 240 V 50 ~ 230 V 60 ~
Height:	26.5 mm
Length:	465 mm
Width:	340 mm
Institute Approvals:	CE

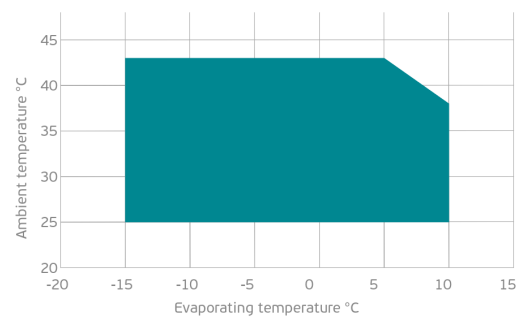
EXTERNAL DIMENSIONS



WIRING DIAGRAM



OPERATING ENVELOPE



COMPONENTS (SPARE PARTS)

condenser:	3R11T	2451206
valve_suca:	FLARE 3/8"	2110056
fankit:	25W 254/28/5B	1996587

valve_disch:	FLARE 1/4"	2110025
compressor:	NT6215Z	212AN09.AC
elkit:	ELKOM NT6215Z	212AN0613A

For additional accessories please contact our technical support

ELECTRICAL DATA

Motor Type:	CSIR -
Locked Rotor Amperage (LRA):	21 A
Max.Current:	5.52 A

At maximum evaporating temperature and maximum ambient temperature.

FAN MOTOR

Number:	1 -
Shaft Power:	25 W
Air Flow:	740 m ³ /h
Blade Diameter:	254 mm

PERFORMANCE CURVE DATA

Standard: EN13215-RG20 / return gas 20°C, subcooling 3K

50 Hz

	Evaporating Temperature (°C)	Cooling Capacity (W)	Power Consumption (W)	Current Consumption (A)	Efficiency (W/W)
25 °C Ambient Temperature	10°C	1 839	748	4.46	2.46
	5°C	1 583	676	4.17	2.34
	0°C	1 346	612	3.93	2.20
	-5°C	1 126	554	3.73	2.03
	Rated point -10°C	922	499	3.55	1.85
	-15°C	735	445	3.37	1.65
32 °C Ambient Temperature	10°C	1 671	772	4.60	2.16
	5°C	1 439	697	4.30	2.07
	0°C	1 223	630	4.05	1.94
	-5°C	1 023	570	3.84	1.80
	Rated point -10°C	839	514	3.66	1.63
	-15°C	668	459	3.48	1.45
43 °C Ambient Temperature	5°C	1 230	744	4.47	1.65
	0°C	1 037	666	4.17	1.56
	-5°C	858	595	3.93	1.44
	Rated point -10°C	691	530	3.71	1.30
	-15°C	537	468	3.51	1.15