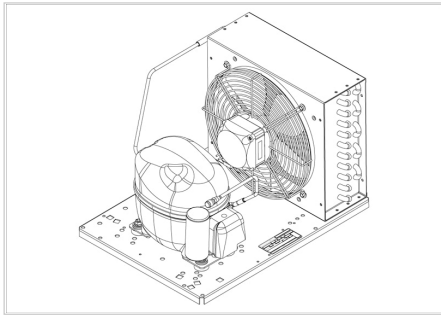


MODEL

**UNEU6210Z****embraco****APPROVALS**

CE

**ENGINEERING CODE**  
668HA9012AA

 **APPROVED REFRIGERANT**  
R134a

 **POWER SUPPLY**  
220 - 240V 50Hz ~

 **STANDARD CONDITIONS**  
ASHRAE

 **APPLICATION**  
M/HBP

 **COOLING CAPACITY**  
1081 W

 **EFFICIENCY**  
1.98 W/W

DATA

**General Data**

<b>Weight</b>	21 Kg
<b>Height</b>	296 mm
<b>Length</b>	465 mm
<b>Width</b>	340 mm
<b>Power Supply</b>	220 - 240 V 50 Hz

**Electrical Data**

<b>Motor Type</b>	CSIR
<b>Locked Rotor Amperage (LRA)</b>	18.5 A
<b>Max Current</b>	2.83 A

**Spare Parts**

<b>Condenser</b>	3R11T	2451206
<b>Compressor</b>	NEU6210Z	268HA51..AN
<b>Electrical Kit</b>	ELKOM NEU6210Z	268HA51N1A
<b>Fan Kit</b>	16W 254/28°/5B	1996579

## Noise Data

<b>Sound Power Level</b>	64.3 dB (A)	-	-
<b>Sound Pressure Level</b>	<b>at 1 m</b>	<b>at 5 m</b>	<b>at 10 m</b>
	56.3 dB (A)	42.3 dB (A)	36.3 dB (A)

## Fan Motor

<b>Number</b>	1
<b>Shaft Power</b>	16 W
<b>Air Flow</b>	595 m <sup>3</sup> /h
<b>Blade diameter</b>	254 mm

## PERFORMANCE

## Rated Points

Ambient Temperature	Evaporating Temperature	Cooling Capacity	Power Consumption	Current	Efficiency
32.00°C	7.20°C	1081 W	546 W	3.44 A	1.98 W/W

Test Condition: ASHRAE, Return Gas 32 °C, Subcooling 3K , Evaporation 7.20°C, Condensing 0 °C, Ambient 32.00°C

## Performance Curve Data

Ambient Temperature 25°C

Evaporating Temperature °C	Cooling Capacity W	Power Consumption W	Current A	Efficiency W/W
-15	511	345	2.82	1.48
-5	783	416	3.01	1.88
0	943	460	3.14	2.05
5	1112	508	3.28	2.19
7	1189	530	3.34	2.24
10	1287	558	3.41	2.31

Test Condition: ASHRAE, M/HBP

### Ambient Temperature 32°C

Evaporating Temperature °C	Cooling Capacity W	Power Consumption W	Current A	Efficiency W/W
-15	467	355	2.94	1.31
-5	709	430	3.05	1.65
0	855	475	3.19	1.8
5	1010	524	3.36	1.93
7	1081	546	3.44	1.98
10	1172	575	3.55	2.04

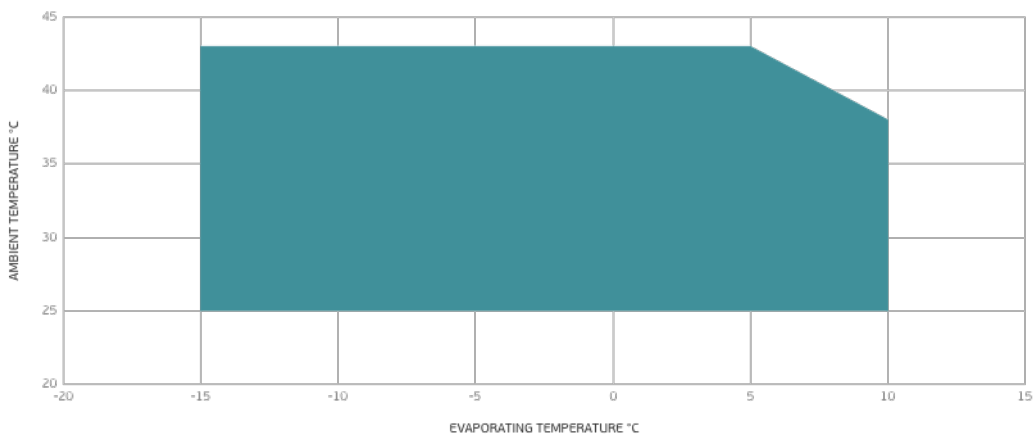
Test Condition: ASHRAE, M/HBP

### Ambient Temperature 43°C

Evaporating Temperature °C	Cooling Capacity W	Power Consumption W	Current A	Efficiency W/W
-15	389	375	3.07	1.04
-5	595	457	3.14	1.3
0	724	506	3.31	1.43
5	864	558	3.56	1.55
7	928	581	3.69	1.6
10	1011	611	3.87	1.65

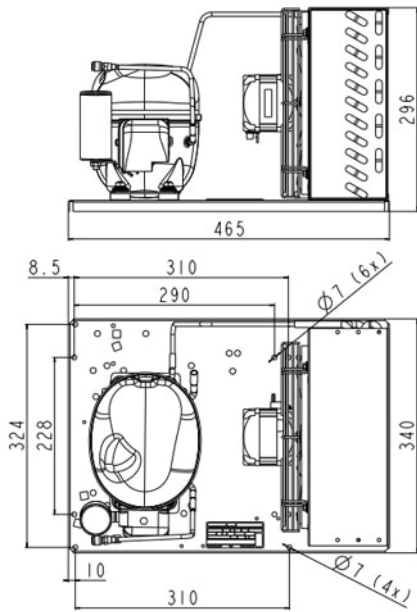
Test Condition: ASHRAE, M/HBP

### Operating Envelope



■ OPERATING CONDITION

## External Dimensions



## Wiring Diagram

